

PRODUCT SPECIFICATION

MODEL: RACK MOUNT KIT TRK-1706

Product Features:

- * Fitting with 19" standard rack (open or close)
- * Tilttable for wide view angle
- * Low Cost
- * Light weight
- * Support up to 18 Pounds (8.18 kg)
- * Easy, fast installation
- * Compatible monitor
TLM-1706

TECHNICAL SPECIFICATIONS

Mechanical Components

For mounting on rack

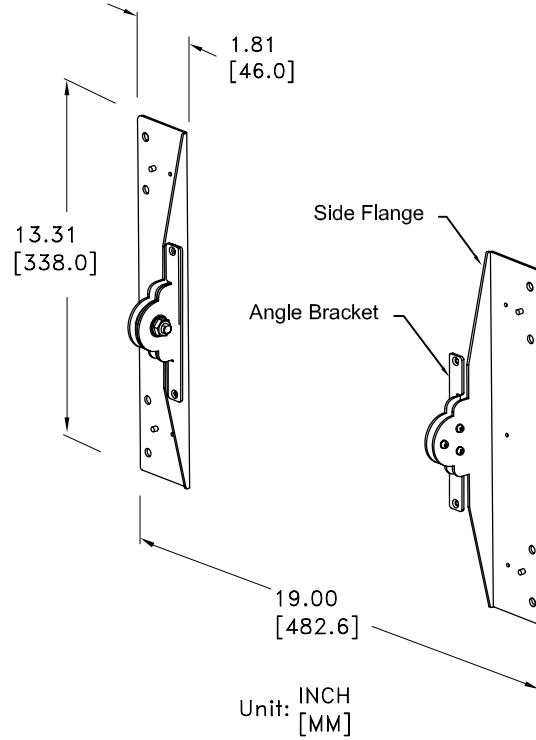
- Side Flange, 2 pieces
(Using four Rack Mounting Screws that provided by rack manufacturer)
- Angle Bracket, 2 pieces
- Bolt and Lock-Nut, M8x1.0, 2 sets

For Connecting With Monitor

- Side Flange Assembly one on left of monitor and one on right, using screw M3-16mm Length, Self-Tap for Plastic, Flat Head, Phillips, Black Zinc-plated, steel grade 2. Total 4 pieces.

General Construction

Side Flange	0.06" (1.5 mm) thick cold-rolled steel
Angle Bracket	0.06" (1.5 mm) thick cold-rolled steel
Finishing	Black baking paint
Maximum Load	18 lb. (8.18 kg)
Unit Weight	2.3 lb. (1.1 kg)
Shipping Weight	2.7 lb. (1.3 kg)
Shipping Meas	14.5"x3"x4" (369x77x101mm)



19" Standard Open Rack
Model TOR-1901

